

P E T T I N G  
**MORE**

**MODULAR**

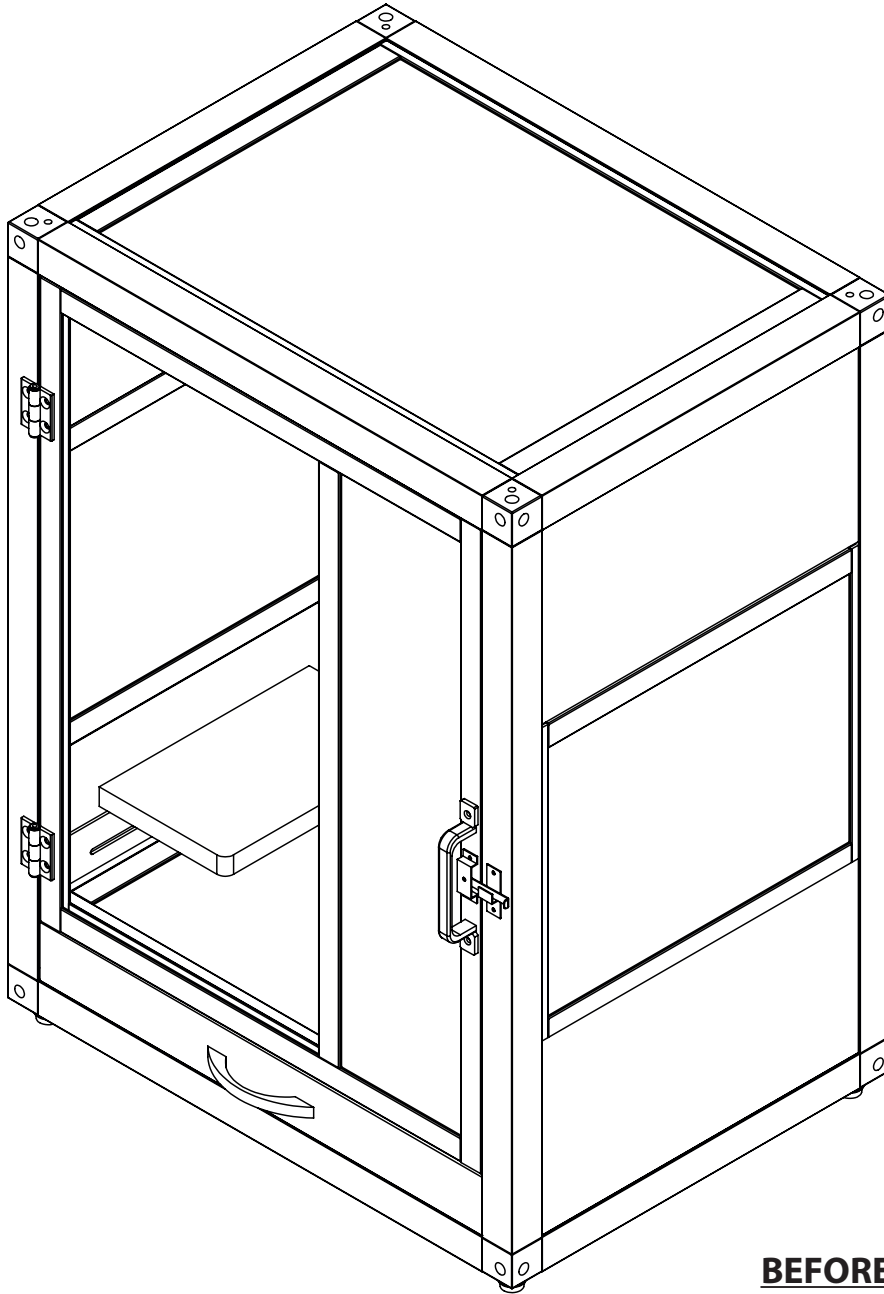
**MRC-600 / 800**

**MEDIUM RODENTS CAGE**

For Chinchilla and Small Pets

## SETUP GUIDE

## 安裝指南



CONTAINS

BASIC ASSEMBLY

ADVANCED ASSEMBLY

---

內容物

基本組裝

進階組裝

### BEFORE START

Please read this manual before you start using this product.

This product contains small accessories, please keep away from children & pets.

### 在使用之前

在開始使用前，請務必詳細閱讀此指南  
本產品內含細小零件，請存放於兒童與寵物無法觸及處。



SONG LIANG INCORPORATED COMPANY  
MADE IN TAIWAN  
淞亮股份有限公司 | 台灣製造

# CONTAINS

# 內容物

## Tool Pack:

Cross Screwdriver  
L Shaped Hex Key x3

## Accessories Pack:

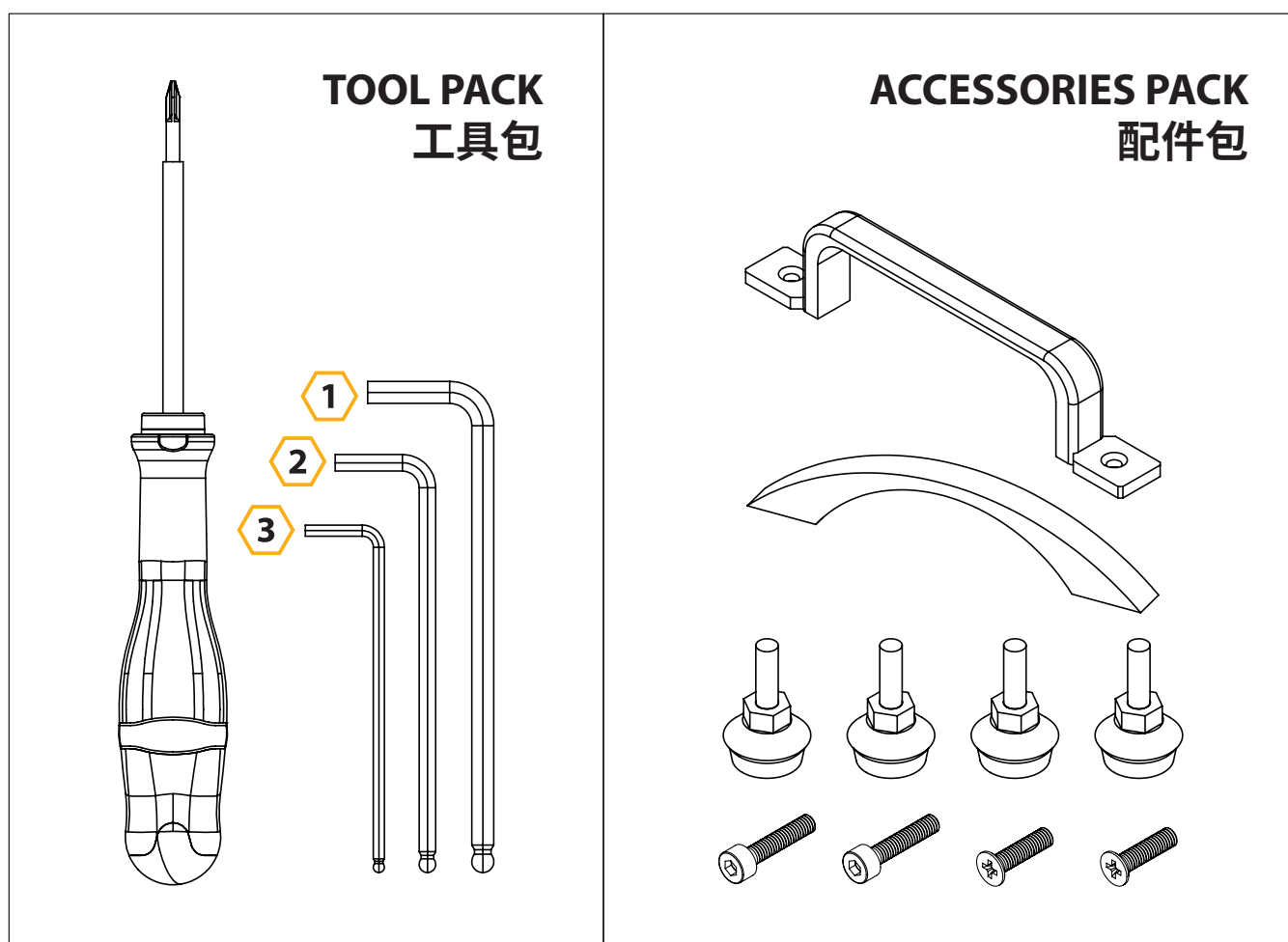
Door Handle, Cross Screw x2  
Excretion Tray Handle, Hex Socket Screw x2  
Leveling Feet x4

## 工具包：

十字螺絲起子  
L型六角扳手 x3

## 配件包：

門把、十字螺絲 x2  
便盆把手、內六角螺絲 x2  
支撐腳 x4



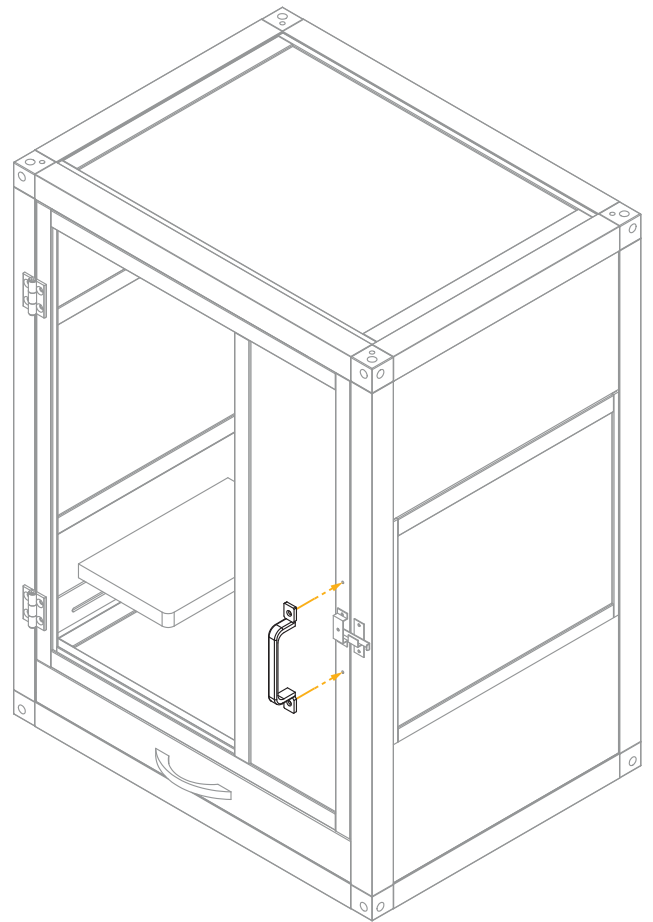
## INSTALL THE DOOR HANDLE

### What you need:

Cross Screwdriver  
Cross Screw x2  
Door Handle

### How to do it:

1. Align the holes on the handle and door frame.
2. Fasten the handle and the frame together.



## 安裝門把

### 你需要：

十字螺絲起子、十字螺絲 x2  
門把

### 步驟：

1. 對齊門把與門框上的預留孔
2. 將門把與門框用螺絲鎖緊

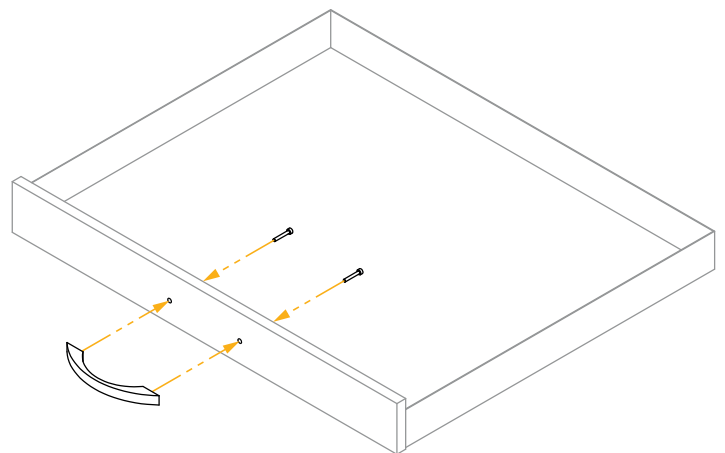
## INSTALL THE EXCRETION TRAY HANDLE

### What you need:

L Shaped Hex Key **3**  
Hex Socket Screw x2  
Excretion Tray Handle

### How to do it:

1. Align the holes on the handle and tray panel.
2. Fasten the handle with hex screws from the back.



## 安裝便盆把手

### 你需要：


L型六角扳手 **3**、內六角螺絲 x2  
便盆把手

### 步驟：

1. 對齊把手與便盆正面的預留孔
2. 由便盆面板後方將螺絲鎖緊

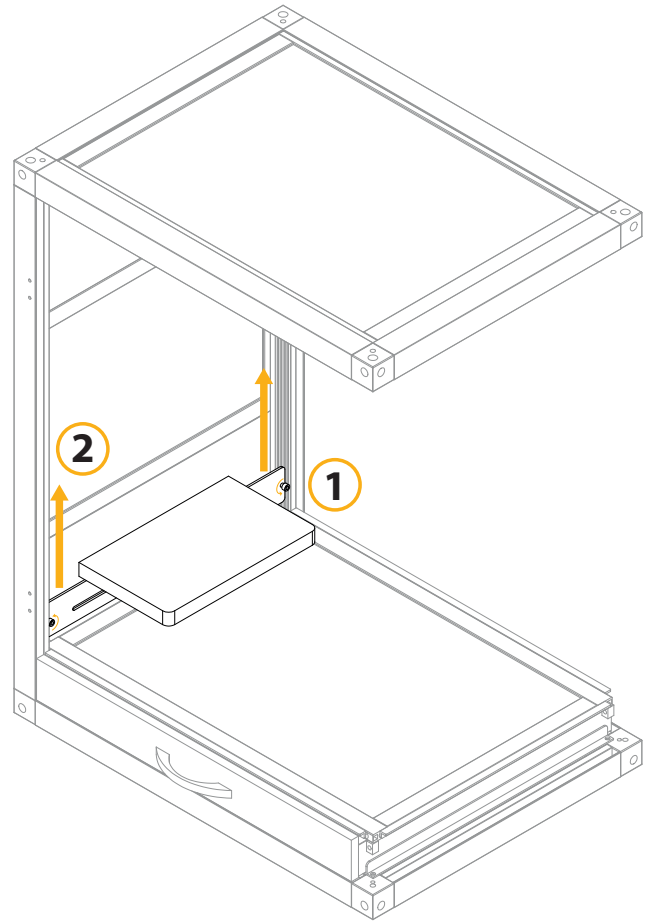
## ADJUST THE JUMP PLATFORM (ALTITUDE)

### What you need:

L Shaped Hex Key 

### How to do it:

1. Release the hex socket screws on the both side of the fixed plate.  
*\* Do not rotate the screws over 180°.*
2. Move the both side of the plate to adjust the altitude.



## 調整跳台 (垂直方向)

### 你需要：

L型六角扳手 

### 步驟：

1. 將固定桿兩側的內六角螺絲放鬆  
*\* 請勿將螺絲旋轉超過180°*
2. 同時移動固定桿兩側來調整跳台高度

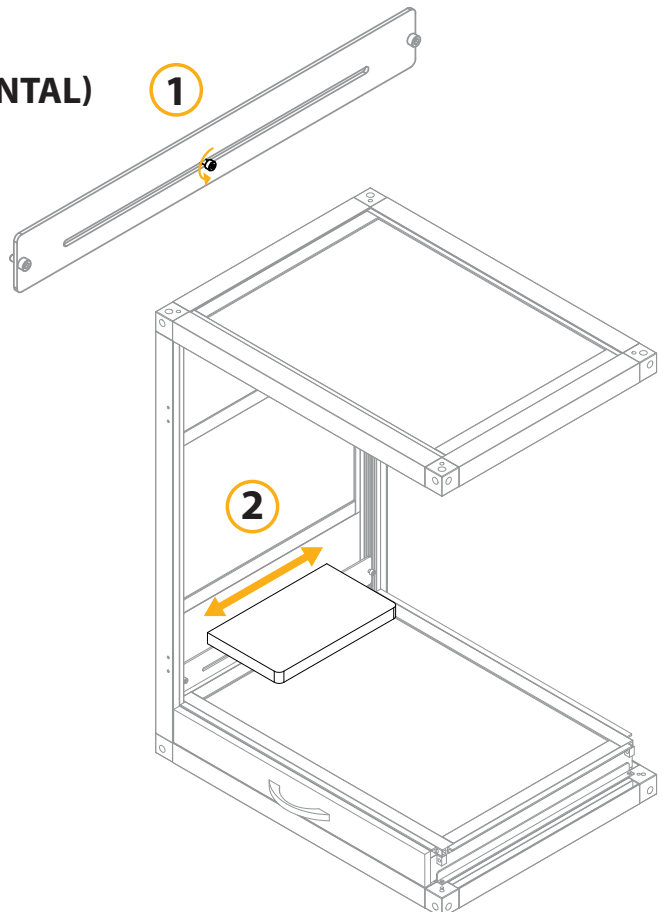
## ADJUST THE JUMP PLATFORM (HORIZONTAL)

### What you need:

L Shaped Hex Key 

### How to do it:

1. Release the hex socket screws on the middle of the fixed plate.
2. Move the platform to adjust the position.



## 調整跳台 (水平方向)

### 你需要：

L型六角扳手 

### 步驟：

1. 將固定桿中間的內六角螺絲放鬆
2. 移動跳台調整位置

# BASIC ASSEMBLY

# 基本組裝

## REMOVE THE BOTTOM

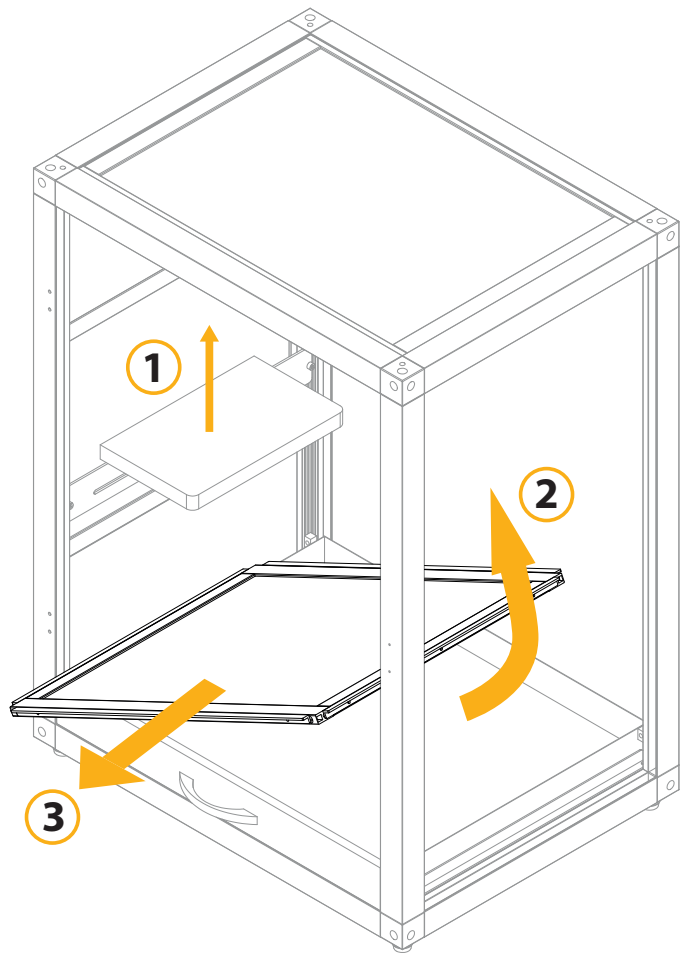
### How to do it:

1. Raise the jump platform.
2. Rotate the bottom about 45°.
3. Pull the bottom out.

## 抽出底網

### 步驟：

1. 將跳台移動到高處
2. 翻轉底網約45°
3. 抽出底網



## INSTALL THE LEVELING FEET

### What you need:

Leveling Feet x4

### How to do it:

Fasten the leveling feet on the smaller holes at the bottom.

\* The leveling feet can be replaced by wheels.

## 安裝支撐腳

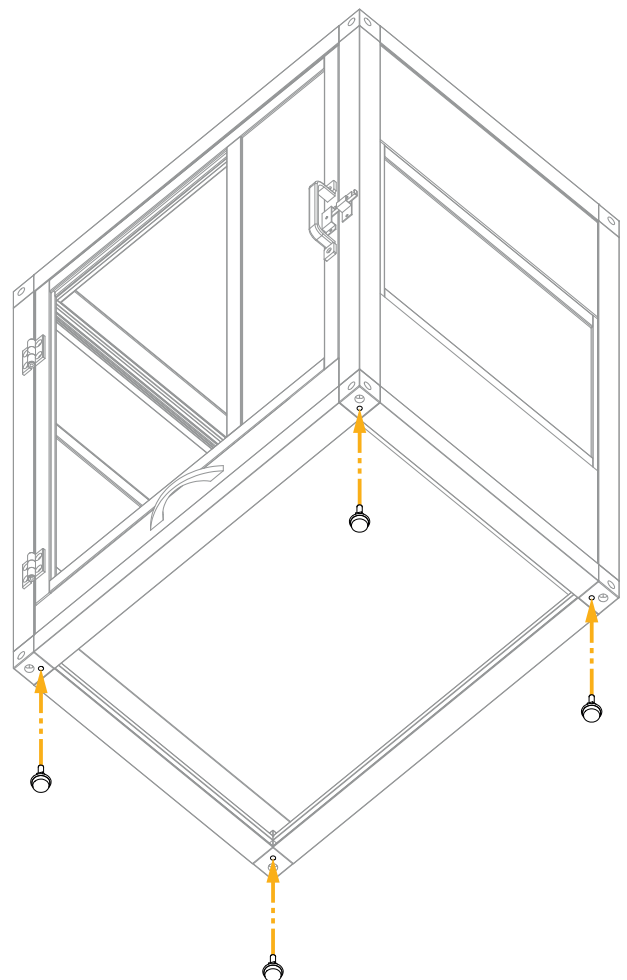
### 你需要：

支撐腳 x4

### 步驟：

將支撐腳鎖於底部的牙孔上

\*支撐腳可選配為滑輪，方便移動



## REPLACE THE WALL 1

### What you need:

L Shaped Hex Key **1**

### How to do it:

Remove the hex socket screws from the connection blocks.

Remove the vertical screws only.

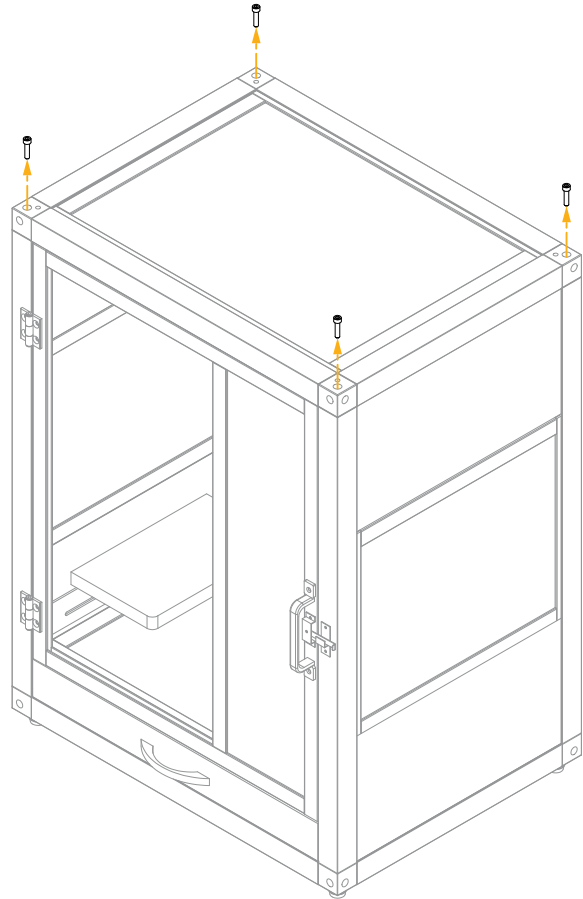
## 替換牆面 1

### 你需要：

L型六角扳手 **1**

### 步驟：

移除頂部連接塊上的內六角螺絲  
僅移除垂直方向的螺絲即可



## REPLACE THE WALL 2

### How to do it:

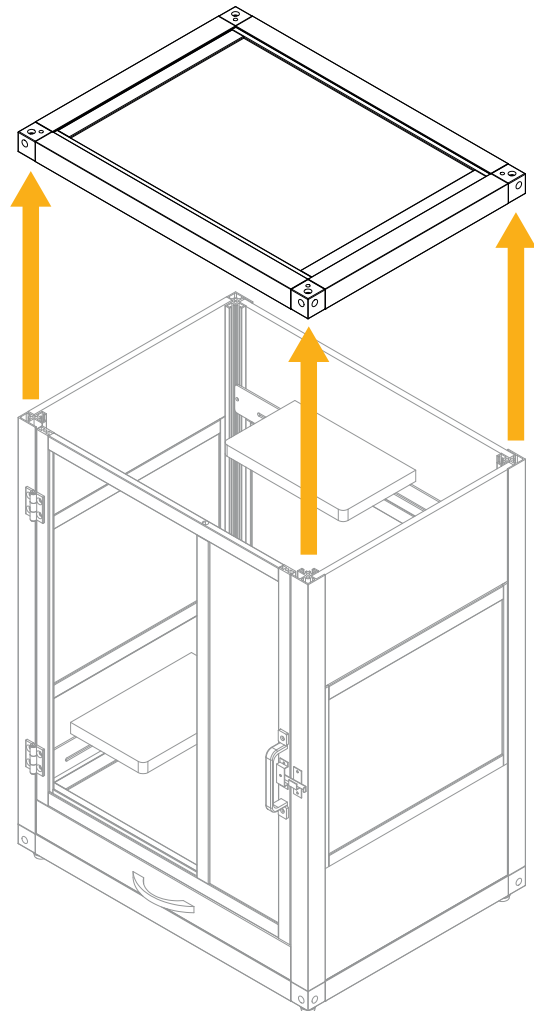
Remove the top plate.

You can replace three sides walls freely.

## 替換牆面 2

### 步驟：

移除上網模組後  
可調整所有牆面組合



## REPLACE THE WALL 3

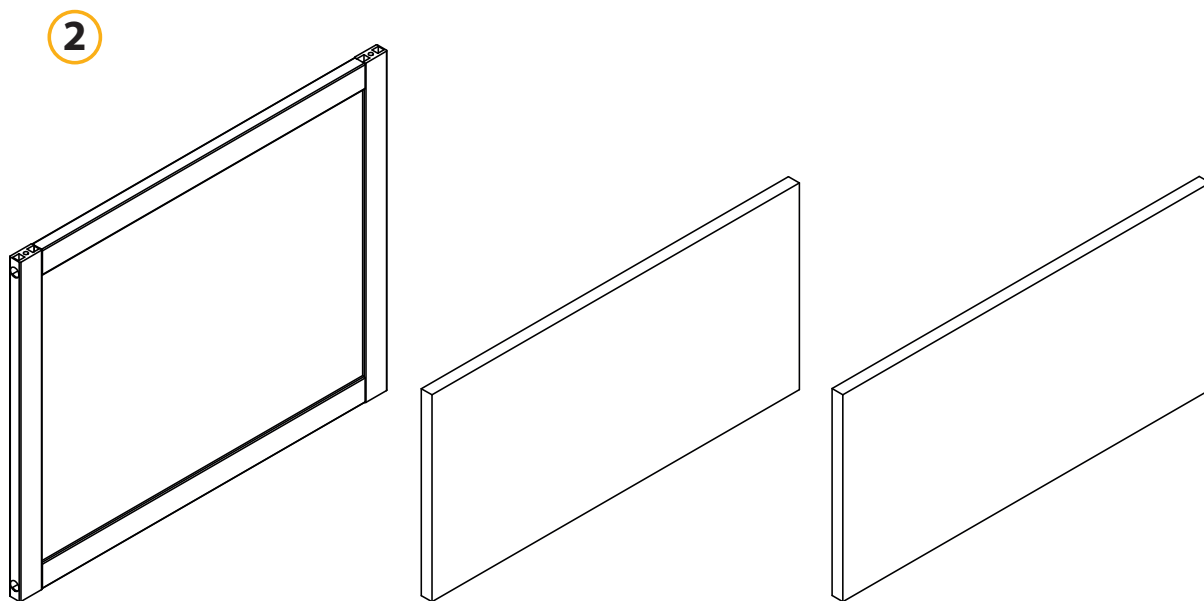
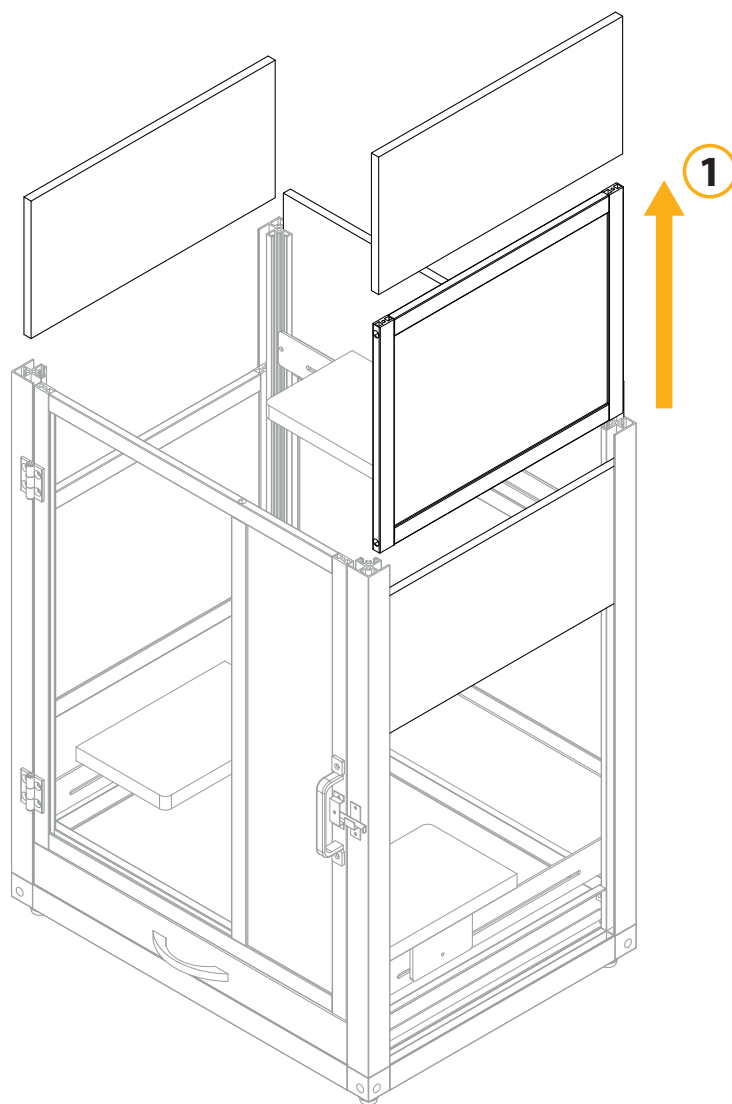
### How to do it:

1. Pull the wall modules out
2. Reinstall the walls by your arrangement.

## 替換牆面 3

### 步驟：

1. 將牆面模組抽出
2. 依照您想要的排列重新安裝牆面



## FLIP THE DOOR 1

### What you need:

Cross Screwdriver

### How to do it:

Remove the accessories from the door.

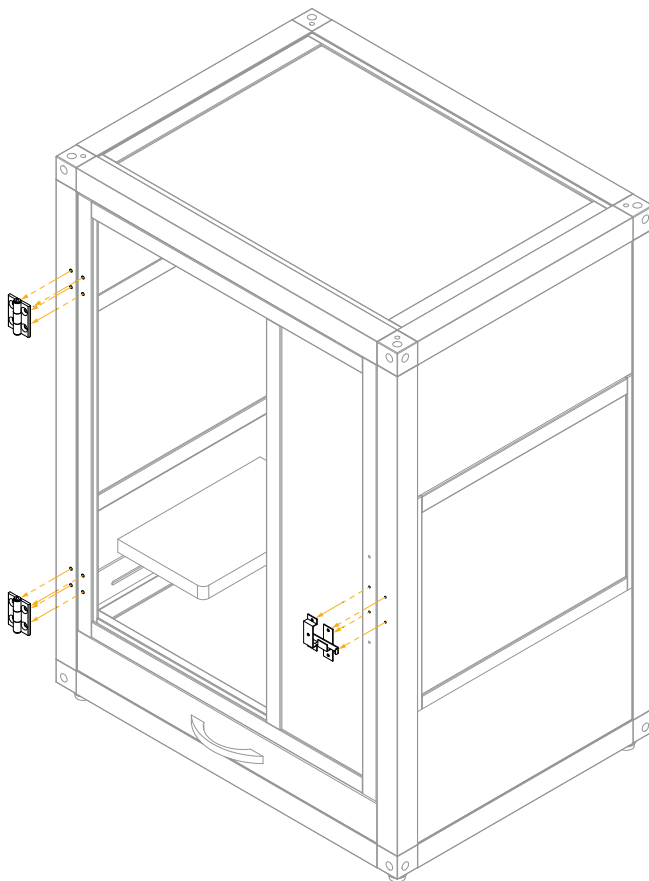
## 更換開門方向 1

### 你需要：

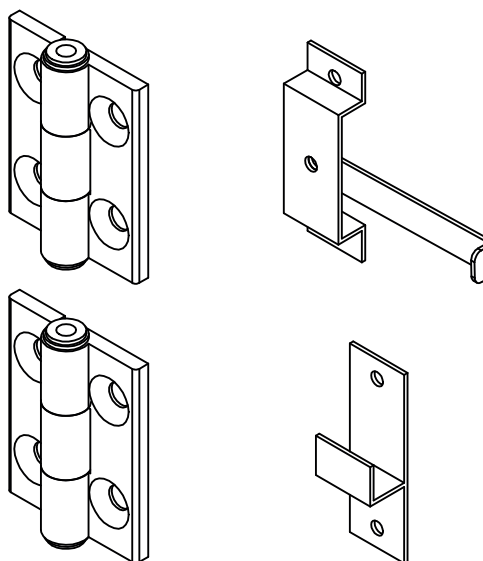
十字螺絲起子

### 步驟：

移除門上配件



## DOOR ACCESSORIES 門上配件包





## FLIP THE DOOR 2

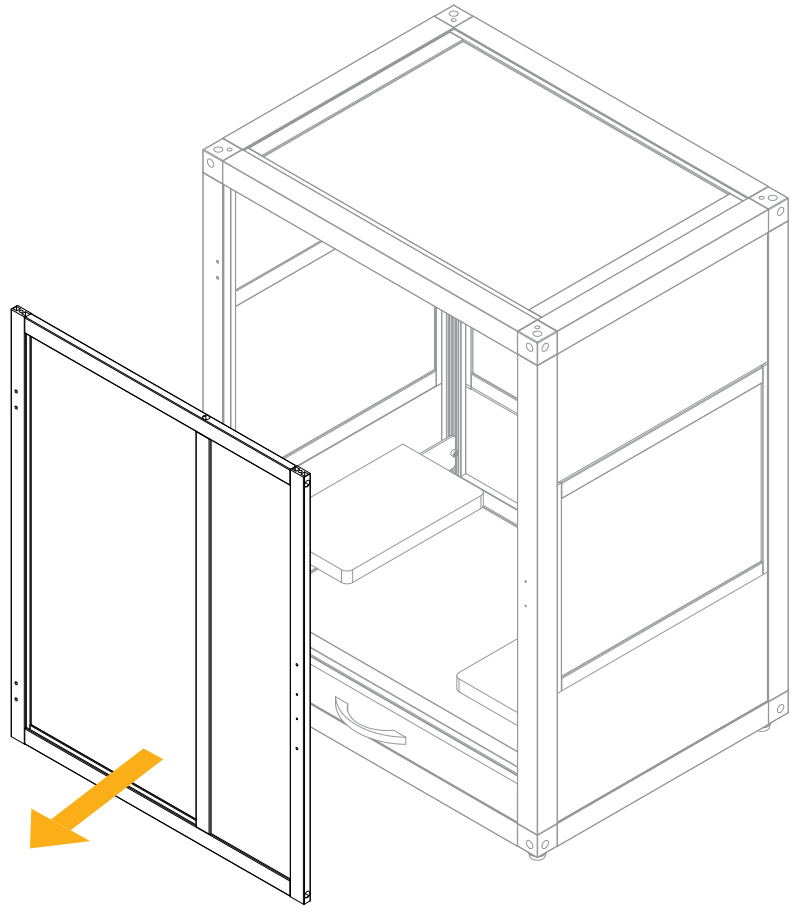
### How to do it:

Remove the door.

## 更換開門方向 2

### 步驟：

移除門板



## FLIP THE DOOR 3

### What you need:

L Shaped Hex Key ①

### How to do it:

Remove the vertical hex socket screws from the connection blocks which at the top and bottom. Four hex socket screws need to be removed.

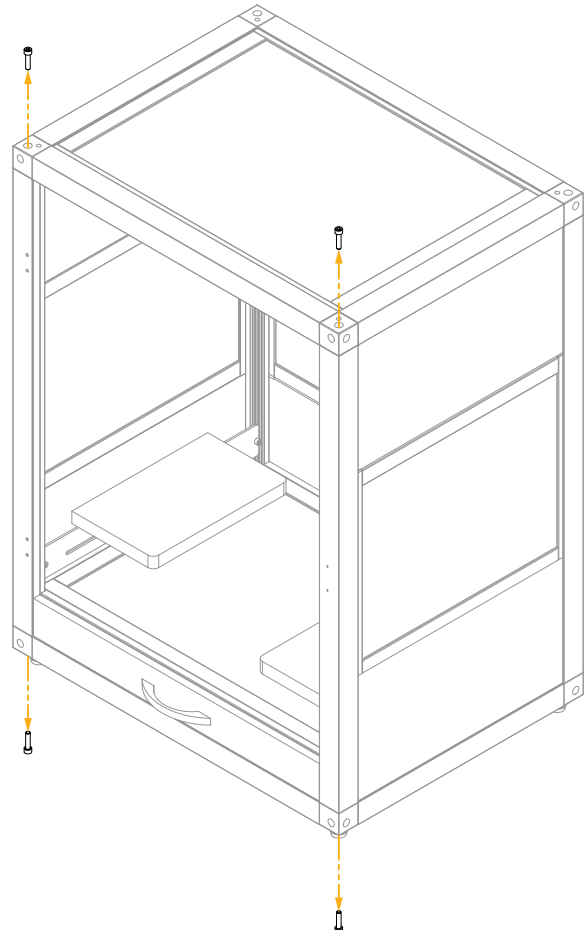
## 更換開門方向 3

### 你需要：

L型六角扳手 ①

### 步驟：

移除位於上下連接塊的垂直內六角螺絲  
共需移除四支內六角螺絲



## FLIP THE DOOR 4

### What you need:

L Shaped Hex Key ①

### How to do it:

1. Pull the both side of door frames out then switch the position.
2. Rotate the frames 360° and reinstall.
3. Check every hex socket screw which from **FLIP THE DOOR 3** is fastened.

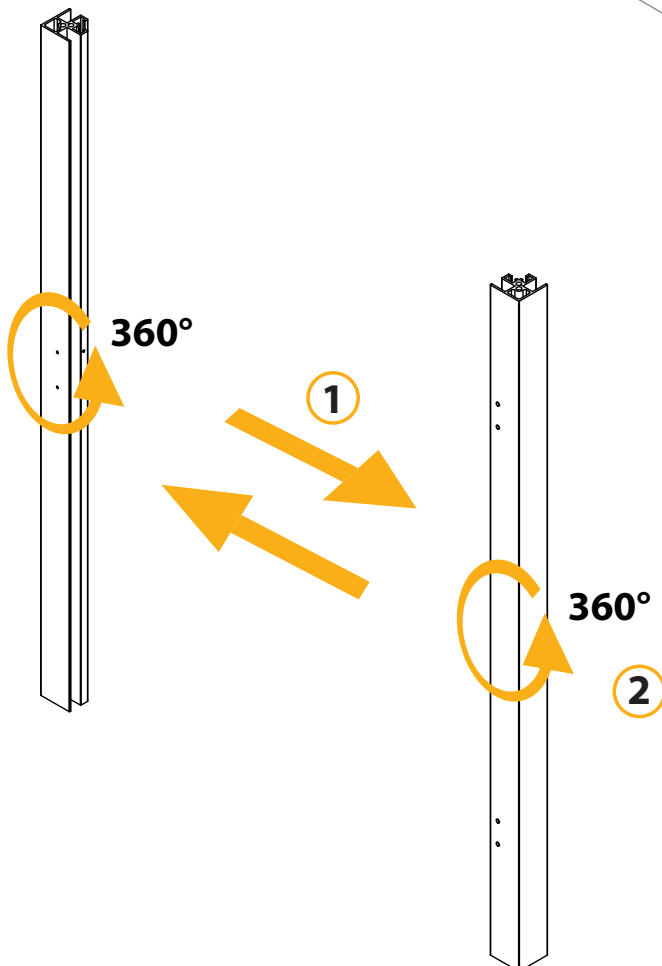
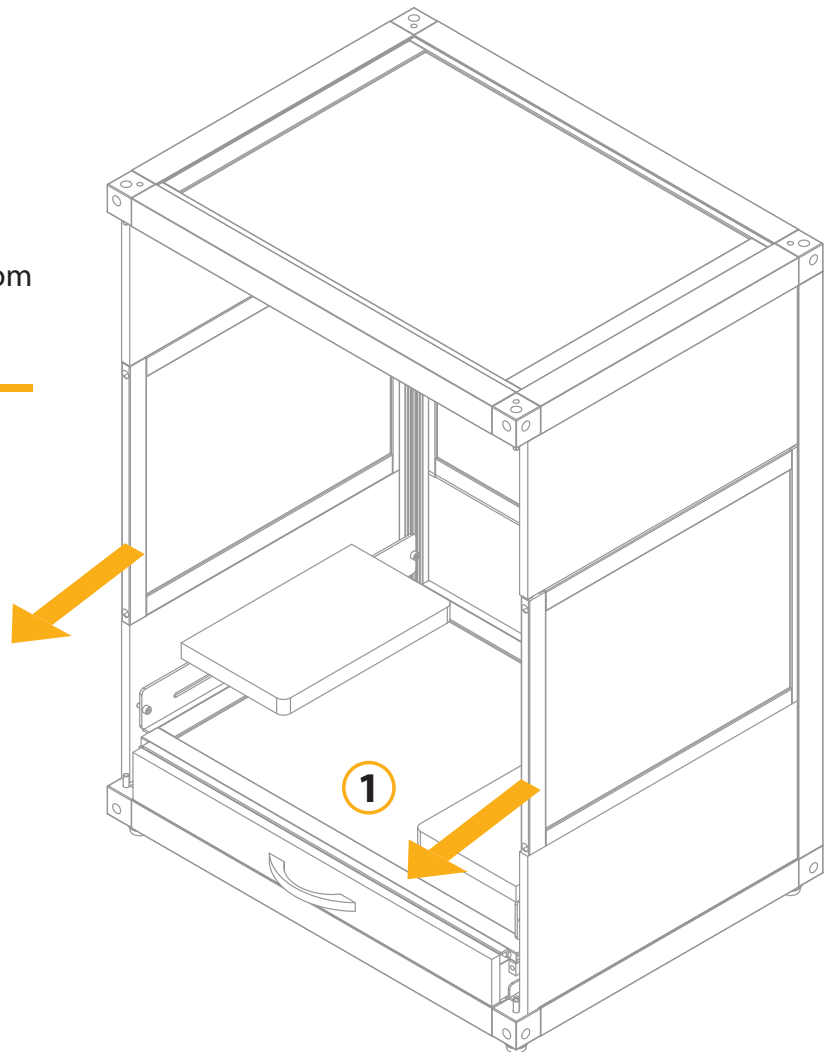
## 更換開門方向 4

### 你需要：

L型六角扳手 ①

### 步驟：

1. 取出兩側的門框，互換位置
2. 將門框旋轉 360° 後重新安裝
3. 確認所有在**更換開門方向 3**拆下的內六角螺絲均安裝回去



## FLIP THE DOOR 5

### What you need:

Cross Screwdriver

### How to do it:

1. Flip the door 360°.
2. Put the door at the original position.
3. Use cross screwdriver to reinstall the door accessories.

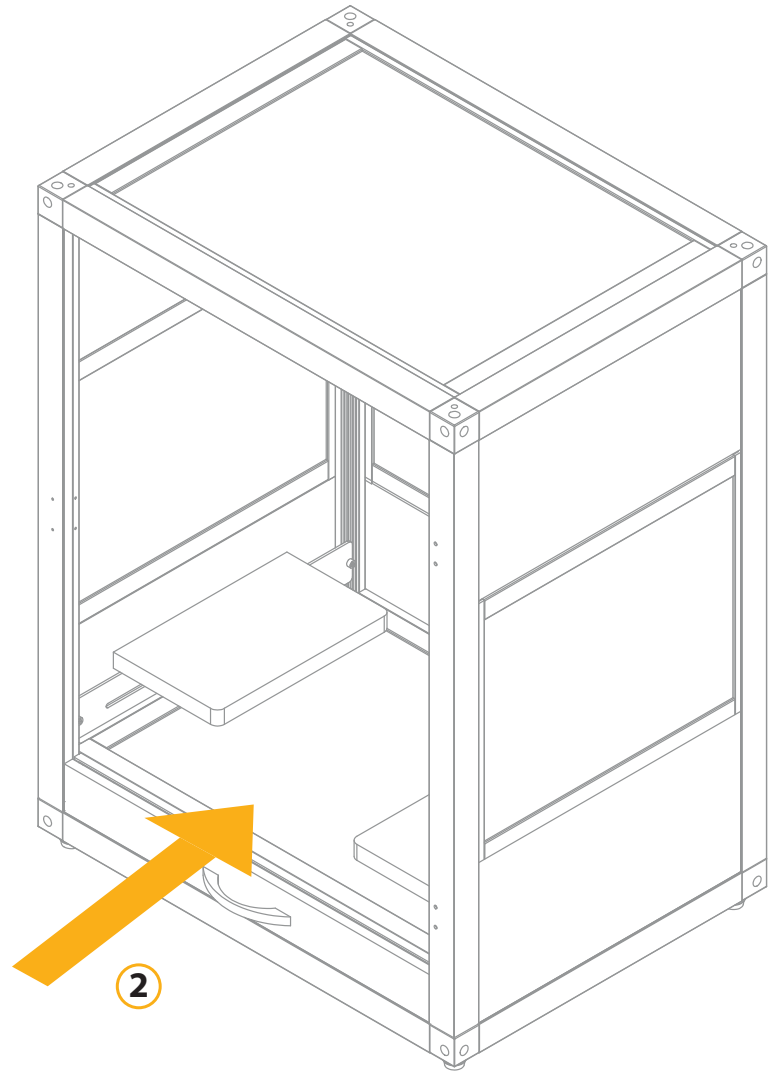
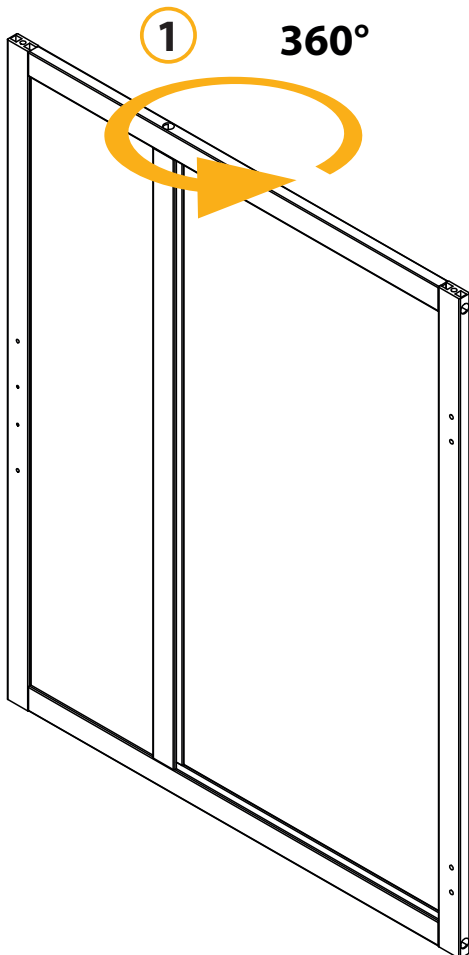
## 更換開門方向 5

### 你需要：

十字螺絲起子

### 步驟：

1. 將門水平旋轉360°
2. 將門安裝回原處
3. 以十字螺絲起子重新安裝配件。



P E T T I N G  
**MORE**®



SONG LIANG INCORPORATED COMPANY

淞亮股份有限公司

36647 苗栗縣銅鑼鄉平陽路38-1號

38-1 Pingyang Road, Tongluo, Miaoli 36647, Taiwan

TEL: +886-37-982965 | FAX: +886-37-987079

service@sl-aqua.com | SL-AQUA.COM

Copyright © 2013-2021

Song Liang Incorporated Company

All rights reserved.